

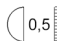
Despo D


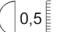

last update 27/09/2015

BEL1071

Despo D : code 99310.04

Despo D : code 993_4.04

20W HCI-TC/G8,5 - 230V - CE - IP65 -  -  0,5 - 

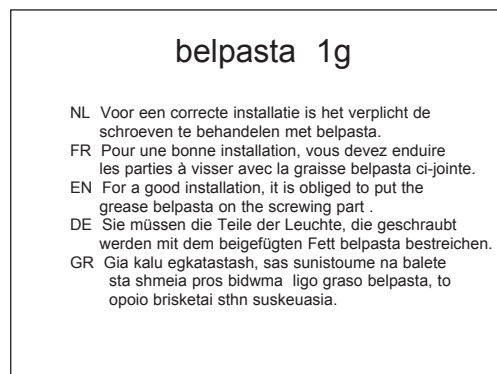
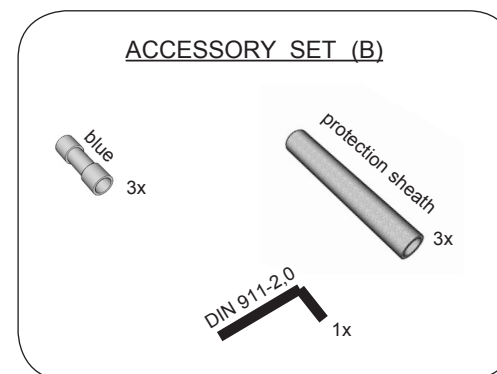
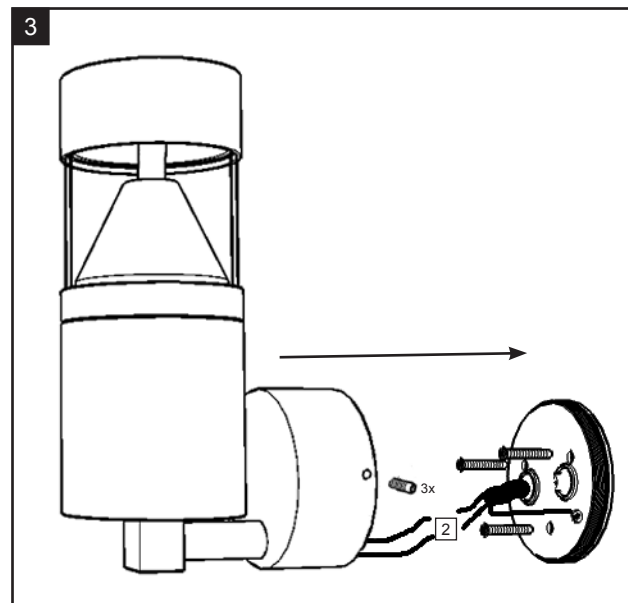
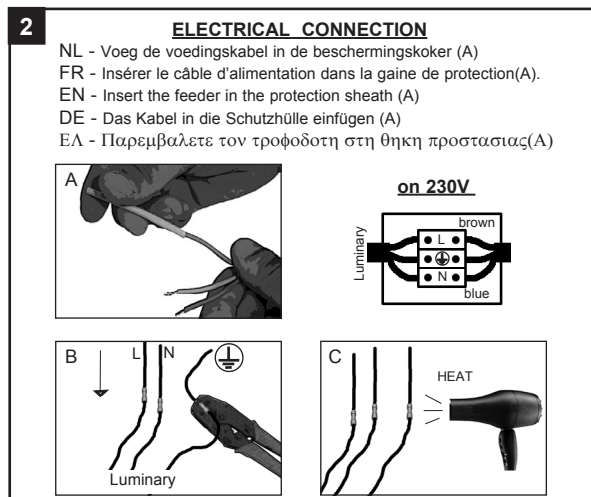
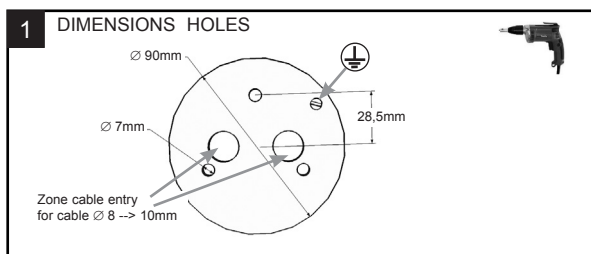
LED 16,5W - 230V - CE - IP65 -  -  0,5 - 


BEL LIGHTING

BEL LIGHTING sprl
Avenue Ernest Solvay 42
B-1480 Saintes (Tubize)
Belgium
Phone: +32(0)2 3552428
Fax: +32(0)2 3550396
e-mail: info@bel-lighting.com
www.bel-lighting.com

INSTALLATION INSTRUCTIONS - PART A

1. FIT THE WALL FIXATION ON THE WALL
2. MAKE THE ELECTRICAL CONNECTION
3. PLACE THE LUMINARY
4. SWITCH ON



PART

A

Lees de algemene gebruiksvoorwaarden : PART B
Lire attentivement les conditions generales d'utilisation: PART B
Read attentively the general instructions: PART B
Lesen Sie die allgemeinen Gebrauchsanweisungen: PART B
Diabaste thV genikeV odhgie V : PART B

WAARSCHUWING
AVERTISSEMENT
WARNING
WARNUNG
PROSOCH