
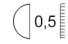



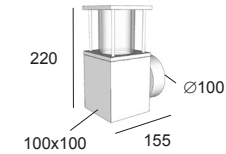
# POEME D

last update 03/11/2015

BEL1096

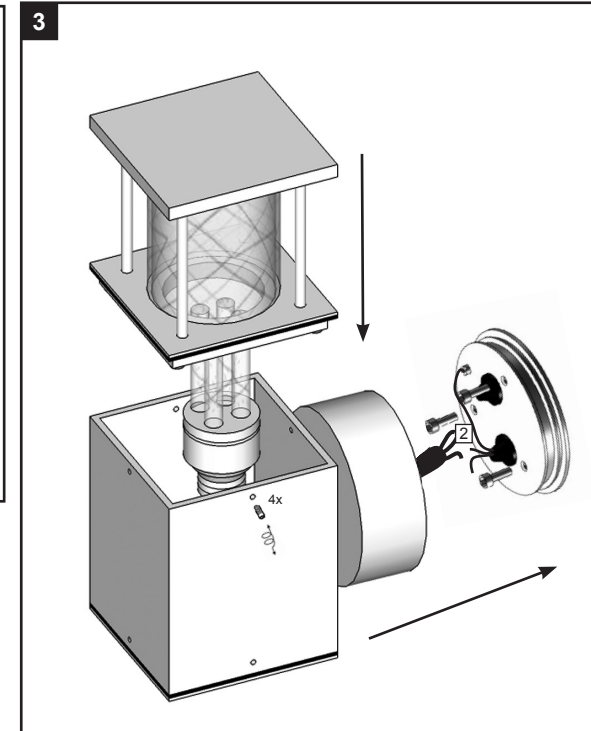
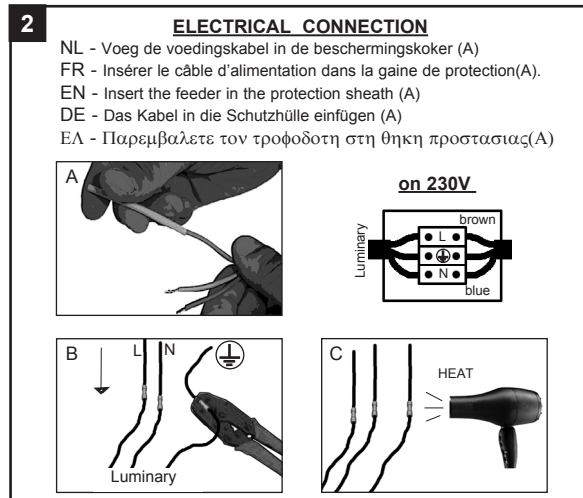
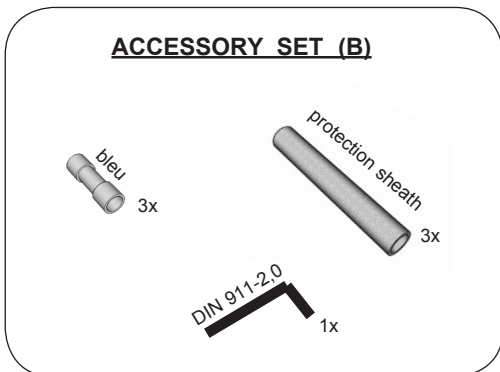
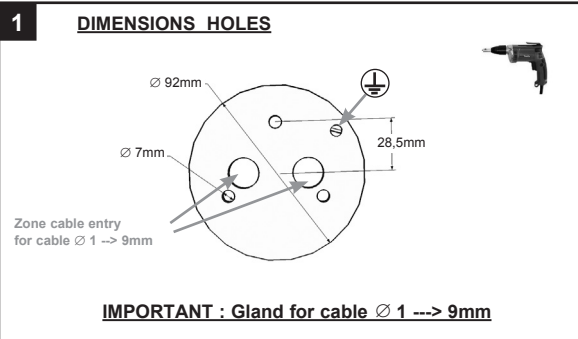
Poeme D : code 8019. \_\_

max.20W TC-TSE/E27 - 230V~ - CE - IP65 -  -  - 



## INSTALLATION INSTRUCTIONS - PART A

1. FIT THE WALL FIXATION ON THE WALL
2. MAKE THE ELECTRICAL CONNECTION
3. PLACE THE LUMINARY
4. SWITCH ON



**BEL LIGHTING**

BEL LIGHTING sprl  
 Avenue Ernest Solvay 42  
 B-1480 Saintes (Tubize)  
 Belgium  
 Phone: +32(0)2 3552428  
 Fax: +32(0)2 3550396  
 e-mail: info@bel-lighting.com  
 www.bel-lighting.com

## PART

# A

Lees de algemene gebruiksvoorwaarden : PART B  
 Lire attentivement les conditions generales d'utilisation: PART B  
 Read attentively the general instructions: PART B  
 Lesen Sie die allgemeinen Gebrauchsanweisungen: PART B  
 Διαβάσατε της γενικες οδηγίες : PART B

WAARSCHUWING  
 AVERTISSEMENT  
 WARNING  
 WARNUNG  
 ΠΡΟΣΟΧΗ