
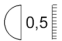



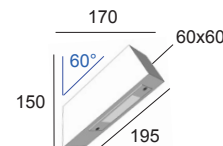
Torga D

last update 24/09/2015

BEL1092

Torga D : code 8008.1_37. __

6,5W - 230V~ - CE - IP65 - IK09 -   

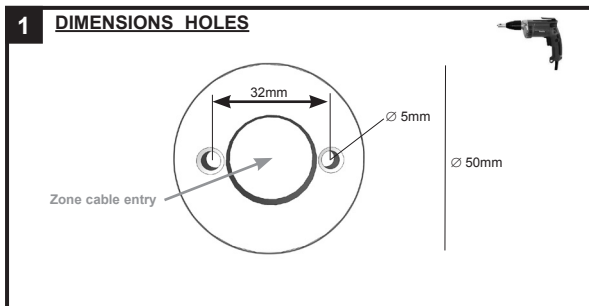


BEL LIGHTING sprl
Avenue Ernest Solvay 42
B-1480 Saintes (Tubize)
Belgium
Phone: +32(0)2 3552428
Fax: +32(0)2 3550396
e-mail: info@bel-lighting.com
www.bel-lighting.com

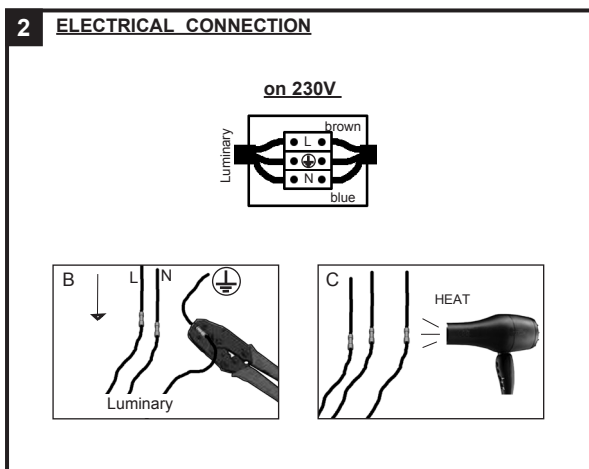
INSTALLATION INSTRUCTIONS - PART A

1. FIT THE WALL FIXATION ON THE WALL
2. MAKE THE ELECTRICAL CONNECTION
3. PLACE THE LUMINARY
4. SWITCH ON

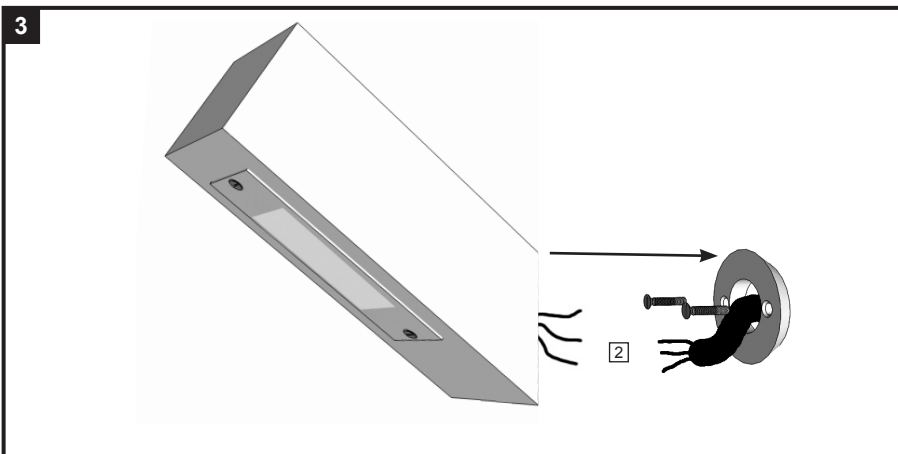
1 DIMENSIONS HOLES



2 ELECTRICAL CONNECTION



3



ACCESSORY SET (A)



PART

A

Lees de algemene gebruiksvoorwaarden : PART B
Lire attentivement les conditions generales d'utilisation : PART B
Read attentively the general instructions : PART B
Lesen Sie die allgemeinen Gebrauchsanweisungen : PART B
Διαβάστε της γενικές οδηγίες : PART B

WAARSCHUWING
AVERTISSEMENT
WARNING
WARNUNG
ΠΡΟΣΟΧΗ